

# Model PSP

4~20mA Output Low Cost Pressure Transmitter

## Description

The PSP model which is pressure transmitters feature high quality, high stability, small size, low weight, compact structure, low cost and mass production. Stainless steel body are ideal for industrial environment.

## Features

- ▶ 4~20mA(2wire) Output
- ▶ Measuring range 0~100kPa ... 25MPa
- ▶ 1%FS accuracy
- ▶ Piezoresistive silicon cell
- ▶ Stainless steel media-wetted materials

## Applications

- ▶ Process control
- ▶ Hydraulics & pneumatic system
- ▶ Gas monitoring
- ▶ Compressor
- ▶ Refrigerator



## Specifications

### Range

0 ~ 100kPa ... 25MPa (Gauge, Absolute)

### Performance

Accuracy	±1%FS(RSS)
Thermal Effect on Zero	±0.05%FS/°C
Thermal Effect on Span	±0.05%FS/°C
Compensated Temperature Range	-20 ~ 85°C
Operating Temperature Range	-20 ~ 100°C

### Electrical

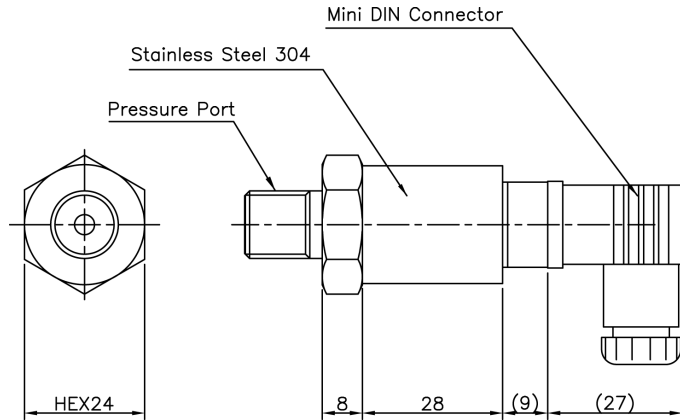
Excitation	11 ~ 28VDC
Output	4~20mA(2Wire)
Electrical Connection	Mini DIN Connector, Cable

### Physical

Proof Pressure	150%FS Max.
Burst Pressure	200%FS Min. (25MPa : 150%FS Min.)
Vibration	49.1m/s <sup>2</sup> {5G}, 10~500Hz
Shock	490m/s <sup>2</sup> {50G}
Pressure port	R(PT)1/4" (Other Connection Available on Request)
Media-Wetted Materials	Stainless Steel 304, 316L
Weight	Approx. 100g (Mini DIN Connector Type)

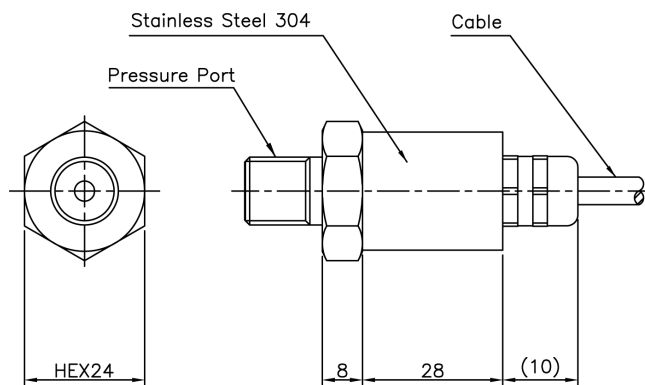
## Dimension

### ▶ Mini DIN connector Type



Pin No.	Connections
1	Input ⊕
2	Output ⊕
3	×
⊥	×

### ▶ Cable Type



Wire Color	Connections
Red	Input ⊕
Green	Output ⊕

## Ordering Information

<p><b>Model Name</b></p> <hr/> <p><b>Output</b> H : 2Wire 4~20mA</p> <hr/> <p><b>Pressure Range</b> XXXX : Pressure</p>	<p><b>PSP H 0010 B C M G</b></p>	<p><b>Type of Pressure Measurement</b> G : Gauge J : Absolute</p> <hr/> <p><b>Connecting Methods</b> M : Mini DIN connector S : Cable</p> <hr/> <p><b>Pressure port</b> C : PT1/4"</p> <hr/> <p><b>Pressure Unit</b> K : kgf/cm<sup>2</sup>      B : bar P : psi              M : MPa</p>
---	----------------------------------	---